



DESCRIPTION

A7539 series is a high efficiency, low ripple, high frequency PFM control DC-DC boost converter.

A7539 series requires only three external components, the device can change the low voltage input of battery step-up into output voltages for electronic devices.

The A7539 is available in SOT-23 and SOT-25 packages.

FEATURES

- Maximum efficiency: 94%
- Maximum operating frequency: 300kHz
- Low Quiescent Current: 15 μ A
- Output Voltage: 1.8V ~ 5.0V (step 0.1V)
- Output Accuracy: \pm 2.5%
- Input voltage: 0.9V ~ 6.5V
- low ripple and low noise
- Small volume
- Available in SOT-23 and SOT-25 Packages

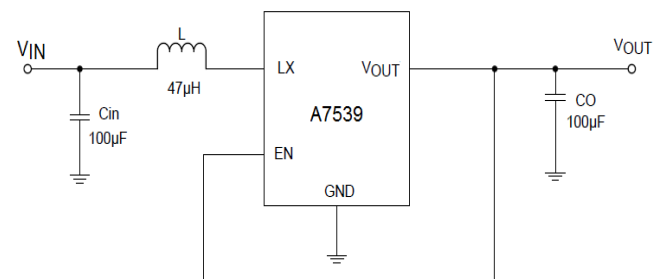
ORDERING INFORMATION

Package Type	Part Number	
SOT-23 SPQ: 3,000pcs/Reel	E3	A7539E3R-XX
		A7539E3VR-XX
SOT-25 SPQ: 3,000pcs/Reel	E5	A7539E5R-XX
		A7539E5VR-XX
Note	XX: Output Voltage, 33=3.3V, V: Halogen free Package R: Tape & Reel	
AiT provides all RoHS products		

APPLICATION

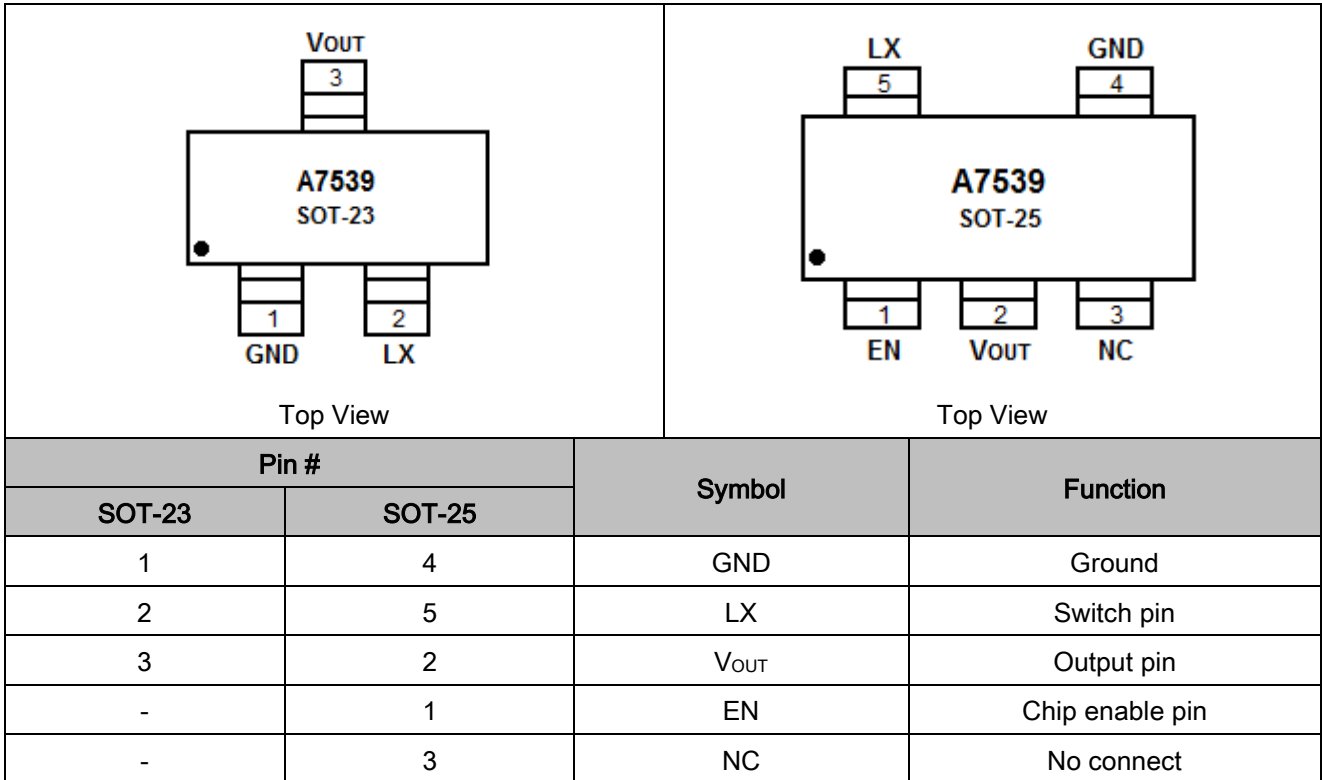
- 1 to 3 batteries of electronic equipment
- Electronic dictionaries, digital cameras
- LED flashlights, LED Light
- Blood pressure monitors, MP3, remote control toys
- Wireless headsets, wireless mouse, keyboard
- Medical devices, anti-lost alarm
- Car alarm, charger, VCR, PDA and other handheld electronic devices

TYPICAL APPLICATION





PIN DESCRIPTION





ABSOLUTE MAXIMUM RATINGS

V _{MAX} , Input voltage	Maximum voltage supply for V _{OUT} and V _{LX} pin	6.5V
I _{LX(MAX)} , Current	Maximum current in LX pin	1000mA
P _D , Power dissipation	SOT-23 maximum power dissipation	250mW
	SOT-25 maximum power dissipation	250mW
T _{min-max} , Temperature	Operating Ambient Temperature	-20°C~85°C
T _{STORAGE} , Temperature	Storage Temperature	-40°C~165°C
V _{ESD} , ESD	Body static pressure values	2000V

Stress beyond above listed "Absolute Maximum Ratings" may lead permanent damage to the device. These are stress ratings only and operations of the device at these or any other conditions beyond those indicated in the operational sections of the specifications are not implied. Exposure to absolute maximum rating conditions for extended periods may affect device reliability.

ELECTRICAL CHARACTERISTICS

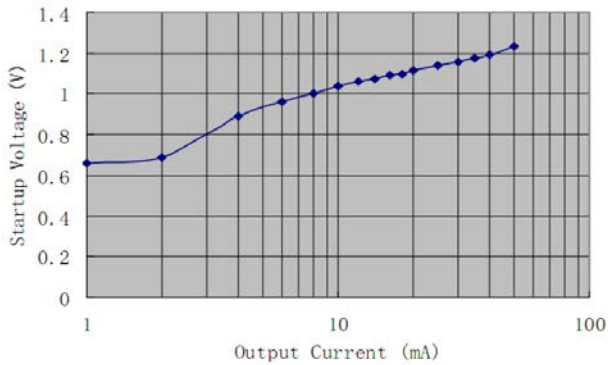
T_A=25°C, unless otherwise specified

Parameter	Symbol	Conditions	Min.	Typ.	Max.	Unit
Output Voltage Accuracy	ΔV _{OUT}		-2.5		2.5	%
Maximum Input Voltage	V _{IN(MAX)}		0.9		6.5	V
Start Voltage	V _{START}	I _{LOAD} =1mA, V _{IN} :0→2V			0.8	V
Hold Voltage	V _{HOLD}	I _{LOAD} =1mA, V _{IN} :2→0V	0.6			V
Oscillation Signal Duty Cycle	DC _{OSC}				78	%
Efficiency	η			90	94	%
Limit Current	I _{LIMIT}		600	800	1000	mA
Input Current (No load)	I _{NO-LOAD}	V _{IN} =1.8V, V _{OUT} =3.0V		15		μA

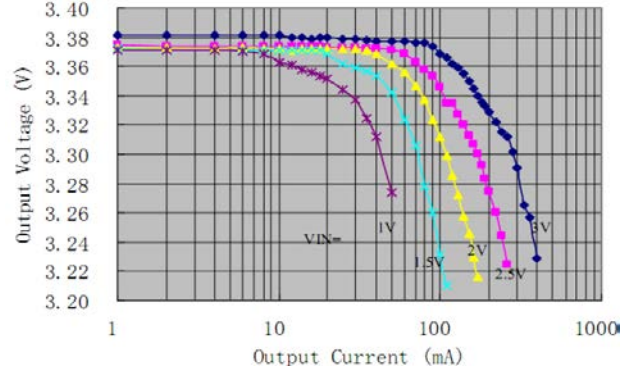


TYPICAL PERFORMANCE CHARACTERISTICS

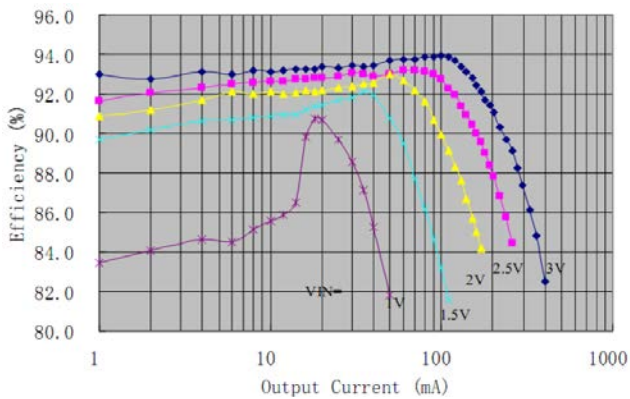
1. Output Current vs. Startup Voltage



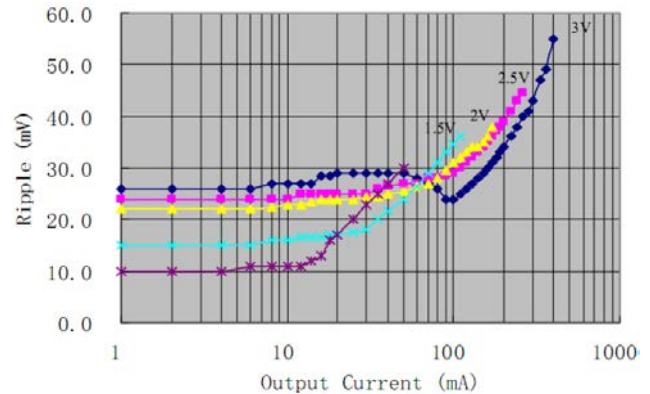
2. Output Current vs. Output Voltage



3. Output Current vs. Efficiency

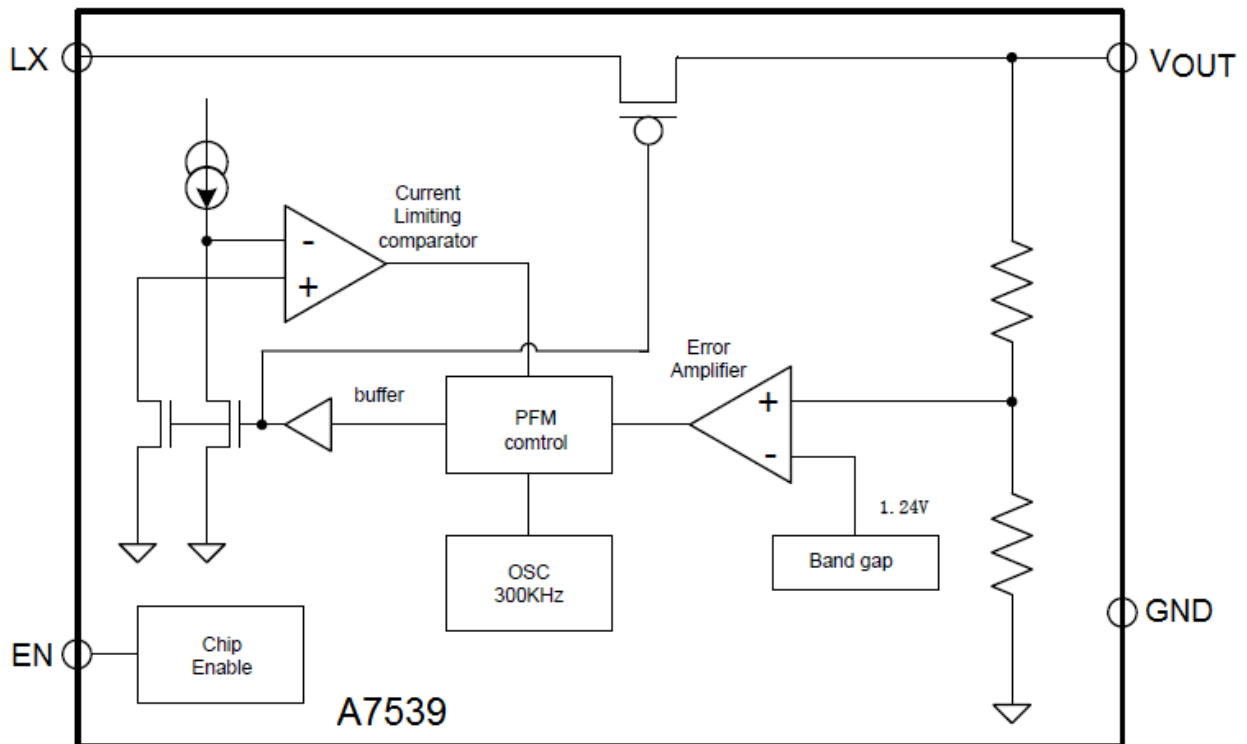


4. Output Current vs. Ripple





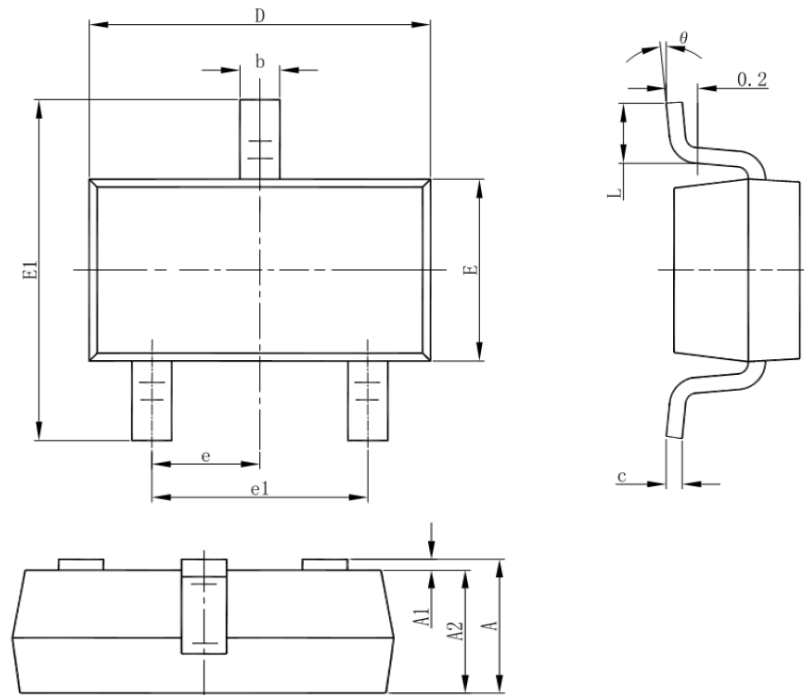
BLOCK DIAGRAM





PACKAGE INFORMATION

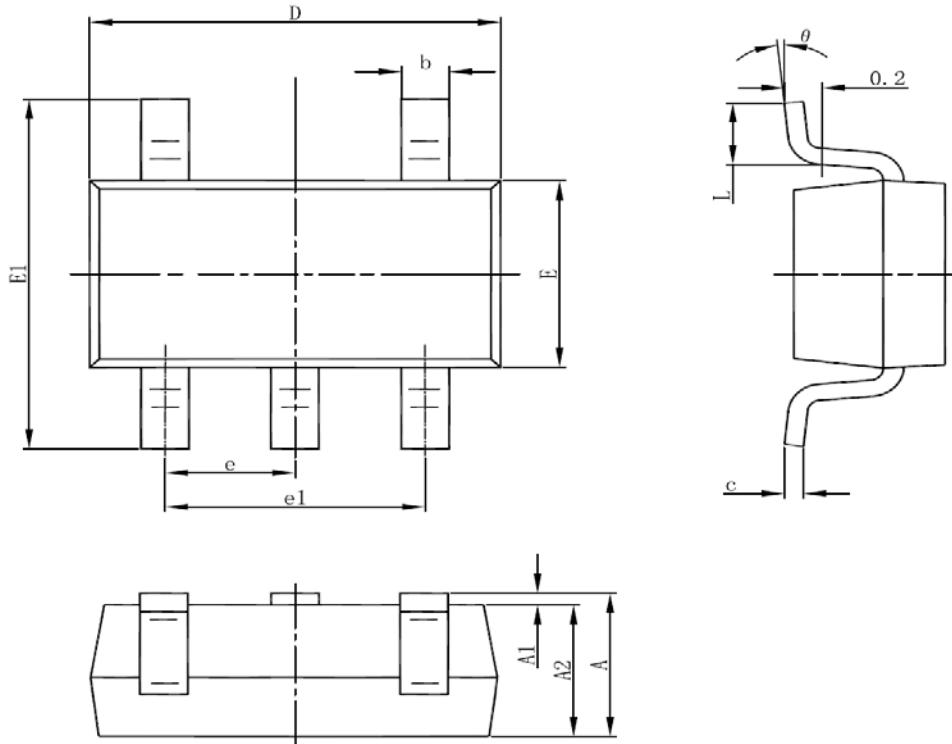
Dimension in SOT-23 Package (Unit: mm)



Symbol	Millimeters		Inches	
	Min.	Max.	Min.	Max.
A	1.050	1.250	0.041	0.049
A1	0.000	0.100	0.000	0.004
A2	1.050	1.150	0.041	0.045
b	0.300	0.500	0.012	0.020
c	0.100	0.200	0.004	0.008
D	2.820	3.020	0.111	0.119
E	1.500	1.700	0.059	0.067
E1	2.650	2.950	0.104	0.116
e	0.950(BSC)		0.037(BSC)	
e1	1.800	2.000	0.071	0.079
L	0.300	0.600	0.012	0.024
θ	0°	8°	0°	8°



Dimension in SOT-25 (Unit: mm)



Symbol	Millimeters		Inches	
	Min.	Max.	Min.	Max.
A	1.050	1.250	0.041	0.049
A1	0.000	0.100	0.000	0.004
A2	1.050	1.150	0.041	0.045
b	0.300	0.500	0.012	0.020
c	0.100	0.200	0.004	0.008
D	2.820	3.020	0.111	0.119
E	1.500	1.700	0.059	0.067
E1	2.650	2.950	0.104	0.116
e	0.950(BSC)		0.037(BSC)	
e1	1.800	2.000	0.071	0.079
L	0.300	0.600	0.012	0.024
θ	0°	8°	0°	8°



IMPORTANT NOTICE

AiT Semiconductor Inc. (AiT) reserves the right to make changes to any its product, specifications, to discontinue any integrated circuit product or service without notice, and advises its customers to obtain the latest version of relevant information to verify, before placing orders, that the information being relied on is current.

AiT Semiconductor Inc.'s integrated circuit products are not designed, intended, authorized, or warranted to be suitable for use in life support applications, devices or systems or other critical applications. Use of AiT products in such applications is understood to be fully at the risk of the customer. As used herein may involve potential risks of death, personal injury, or server property, or environmental damage. In order to minimize risks associated with the customer's applications, the customer should provide adequate design and operating safeguards.

AiT Semiconductor Inc. assumes to no liability to customer product design or application support. AiT warrants the performance of its products of the specifications applicable at the time of sale.