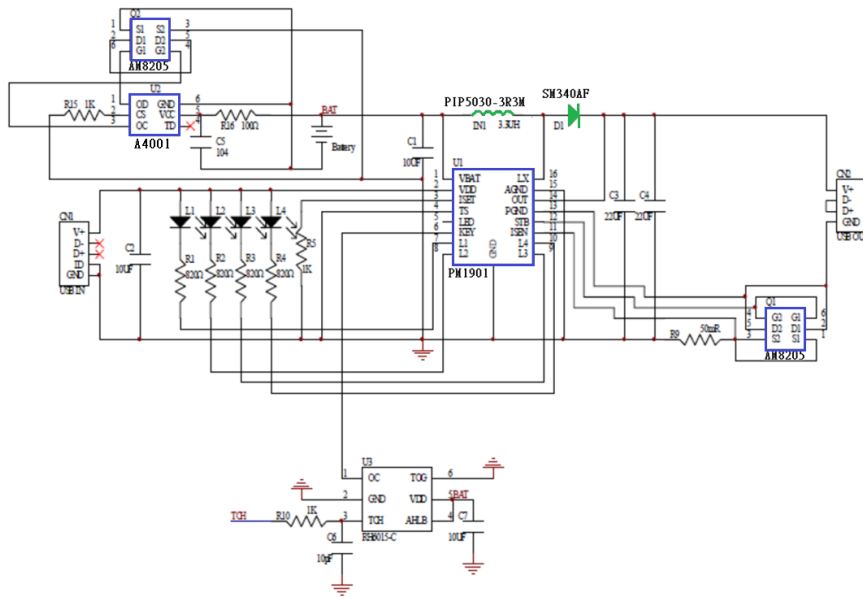




# AiT Semiconductor Inc.



No	Item	Components	Description	Package	數量
1	C1	Capacitor	10uF/10V	1206	1
2	C2	Capacitor	10uF/10V	1206	1
3	C3	Capacitor	22uF/10V	1206	1
4	C4	Capacitor	22uF/10V	1206	1
5	C5	Capacitor	104/10V	0603	1
6	C6	Capacitor	10pF/10V	0603	1
7	C7	Capacitor	10uF/10V	0805	1
8	R1	Capacitor	820Ω 5%	0603	1
9	R2	Capacitor	820Ω 5%	0603	1
10	R3	Capacitor	820Ω 5%	0603	1
11	R4	Capacitor	820Ω 5%	0603	1
12	R5	Capacitor	1K 1%	0603	1
13	R9	Capacitor	50mΩ 1%	1206	1
14	R10	Capacitor	1K 5%	0603	1
15	R15	Capacitor	1K 5%	0603	1
16	R16	Capacitor	100Ω 5%	0603	1
17	D1	Diode	SM340AF	SMA-F (AiT Components)	1
18	L1	LED	Blue	0603	1
19	L2	LED	Blue	0603	1
20	L3	LED	Blue	0603	1
21	L4	LED	Blue	0603	1
22	IN1	Inductor	3.3uH	PIP0503-3R3M (AiT Components) (AiT-	1
23	U1	IC	PM1901M16R	SOP16 (AiT Semi)	1
24	Q1	MOS	AM8205E6R	SOT26 (AiT Semi)	1
25	CN1	Connector	MICRO USB		1
26	CN2	Connector	USB		1
27	Q2	MOS	AM8205E6R	SOT26 (AiT Semi)	1
28	U2	Lion Battery IC	A4001E6R	SOT26 (AiT Semi)	1
29	U3	Touch IC	RH6015C	SOT26	1