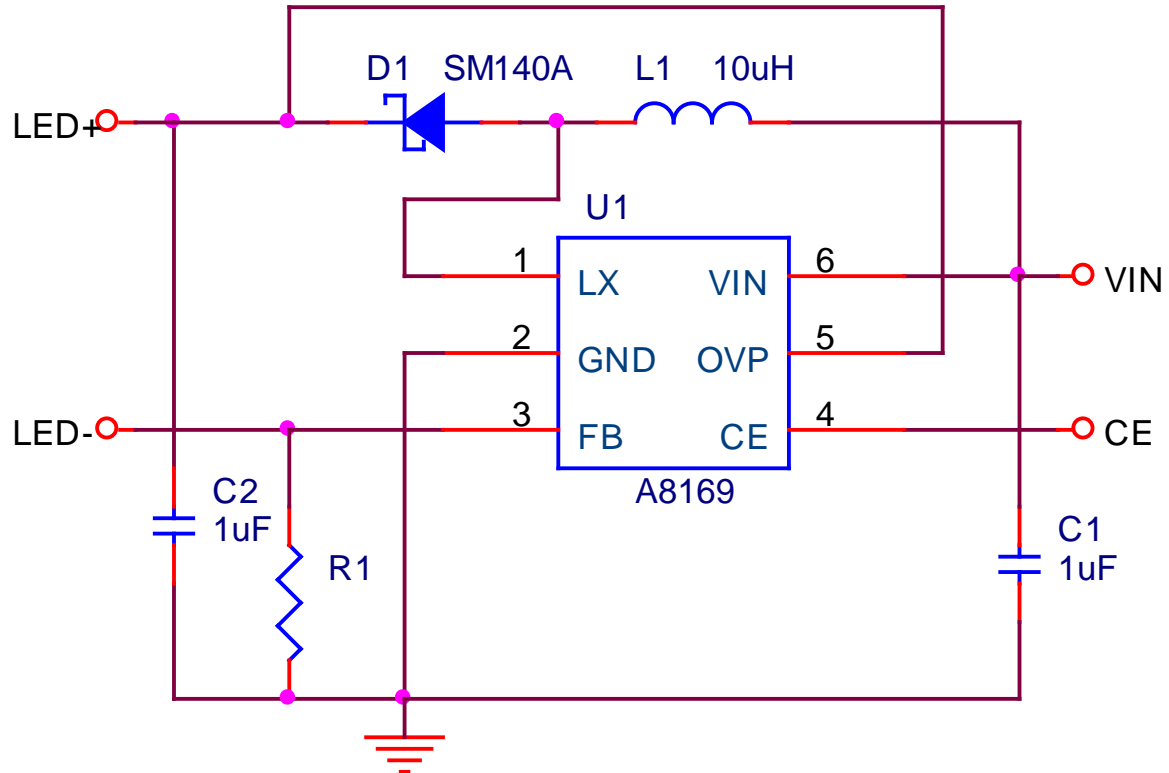




AiT Semiconductor Inc.



No.	Reference	Type	Specification
1	C1、 C2	Capacitor	Tantalum Capacitor; 6.3V/1uF; SMD
2	L1	Inductor	PIP4210-100M (AiT-Components) 10uH, 1.05A
3	U1	IC	A8169E6R; SOT-26 (AiT-Semi)
4	D1	Diode	SM140A (AiT-Components) 1A; 40V; SMA
5	R1	Resistor	SMD 0805; 1%