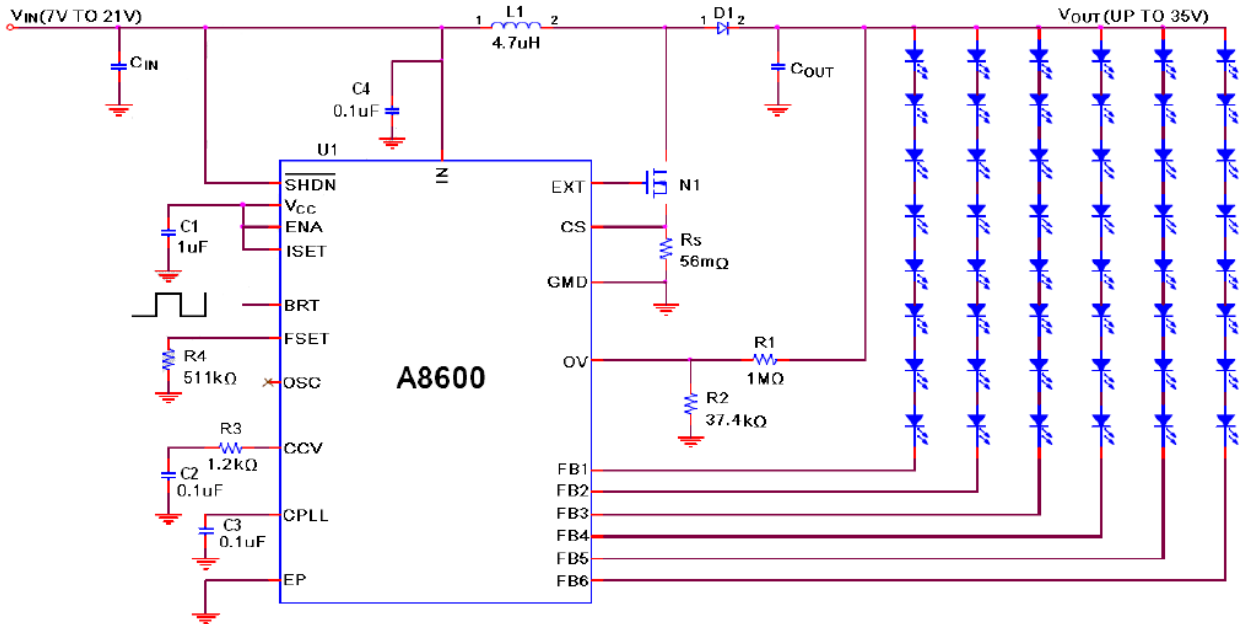




AiT Semiconductor Inc.



No.	Reference	Type	Specification
1	CIN, COUT	Capacitor	Tantalum Capacitor; 50V/10uF; SMD
2	C1	Capacitor	Tantalum Capacitor; 25V/1uF; SMD
3	C2, C3, C4	Capacitor	Tantalum Capacitor; 25V/0.1uF; SMD
4	R1	Resistor	SMD 0805; 1MΩ; 5%
5	R2	Resistor	SMD 0805; 37.4kΩ; 5%
6	R3	Resistor	SMD 0805; 1.2kΩ; 5%
7	R4	Resistor	SMD 0805; 511kΩ; 5%
8	RS	Resistor	SMD 0805; 56mΩ; 1%
9	L1	Inductor	PIP3011-4R7M (AiT-Components) 4.7uH, 1A
10	U1	IC	A8600, QFN20 (AiT-Semi)
11	D1	Diode	SM140A (AiT-Components) 1A; 40V; SMA
12	R1	Resistor	SMD 0805; 1%