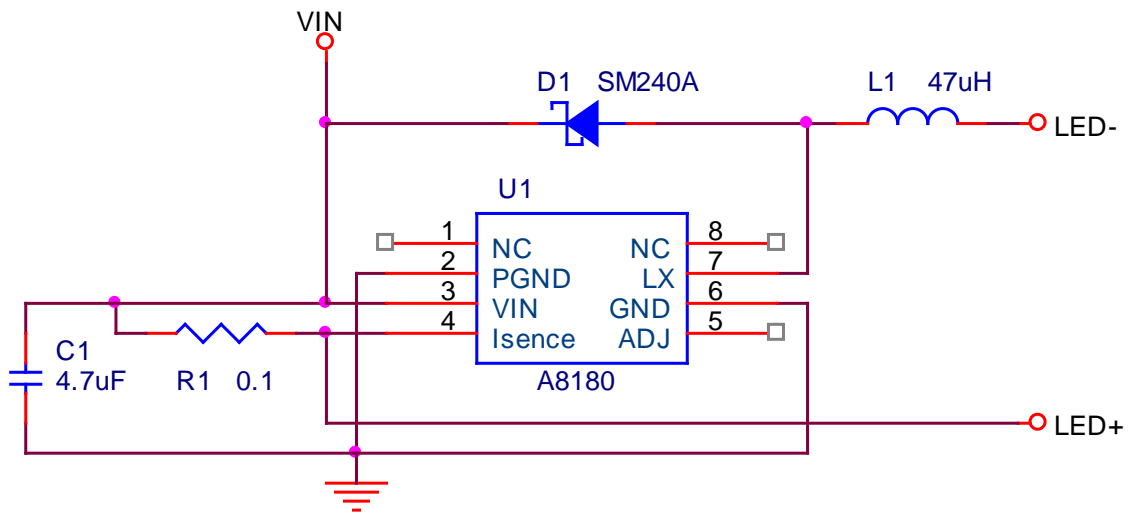




AiT Semiconductor Inc.



No.	Reference	Type	Specification
1	C1	Capacitor	Tantalum Capacitor; 50V/4.7uF; SMD
2	L1	Inductor	WSF10D50-470M (AiT-Components)47uH, 2A
3	U1	IC	A8180,SOP8 (AiT-Semi)
4	D1	Diode	SM240A (AiT-Components) 2A; 40V; SMA
5	R1	Resistor	SMD 0805; 0.1Ω;1%