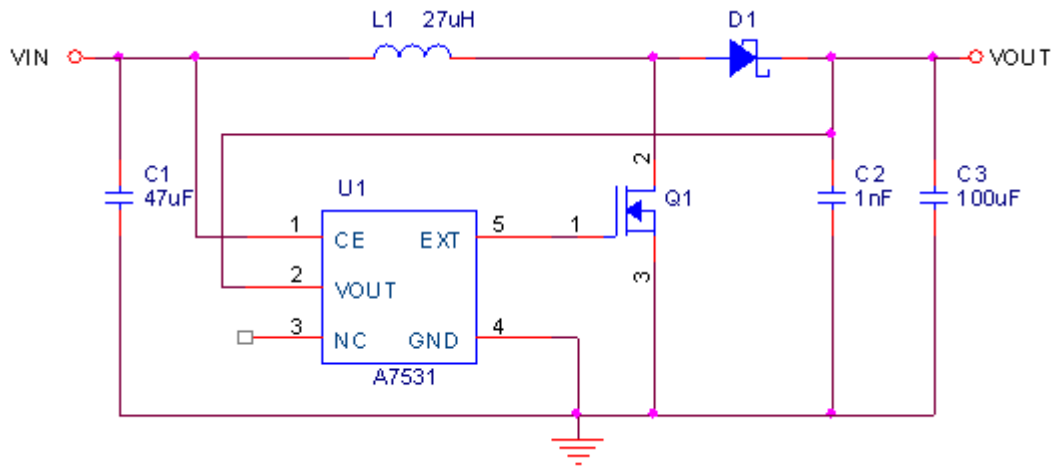




AiT Semiconductor Inc.



No.	Reference	Type	Specification
1	C1	Capacitor	Electrolytic Capacitor; 6.3V/47uF
2	C2	Capacitor	Electrolytic Capacitor; 6.3V/1nF
3	C3	Capacitor	Tantalum Capacitor; 6.3V/100uF
4	L1	Inductor	PIP4210-470M (AiT-Components) 47uH, 0.45A
5	U1	IC	A7531, SOT-25 (AiT-Semi)
6	D1	Diode	1N5817(AiT-Components)
7	Q1	Mosfet	AM2300(AiT-Semi)