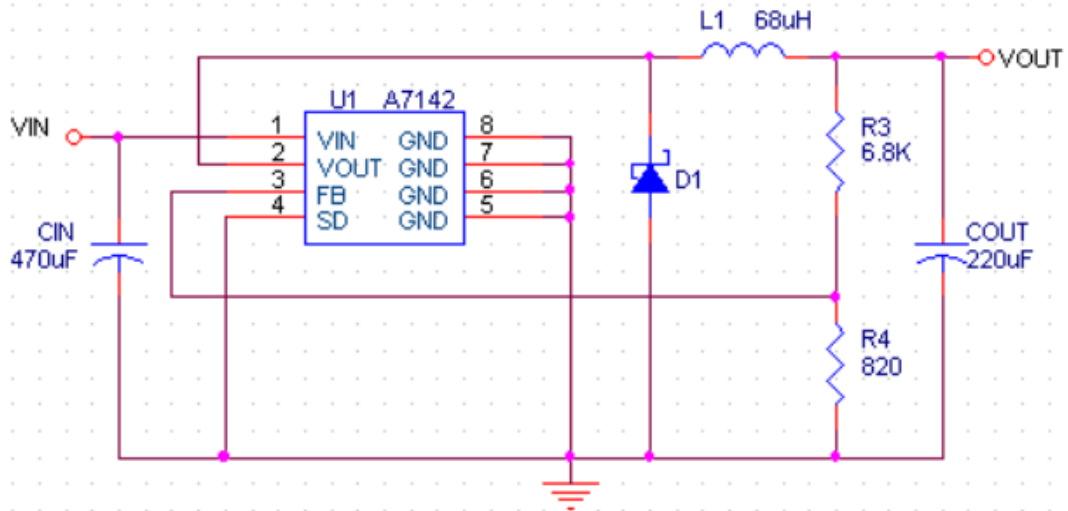




# AiT Semiconductor Inc.



No.	Reference	Type	Specification
1	Cin	Capacitor	Capacitor; 470uF
2	Cout	Capacitor	Capacitor; 220uF
5	L1	Inductor	PIP13070-680M (AiT-Components) 68uH,3.5A
6	U1	IC	A7142,SOP8 (AiT-Semi)
7	D1	Diode	1N5819(AiT-Components)
8	R3	Resistor	6.8kΩ
9	R4	Resistor	820kΩ