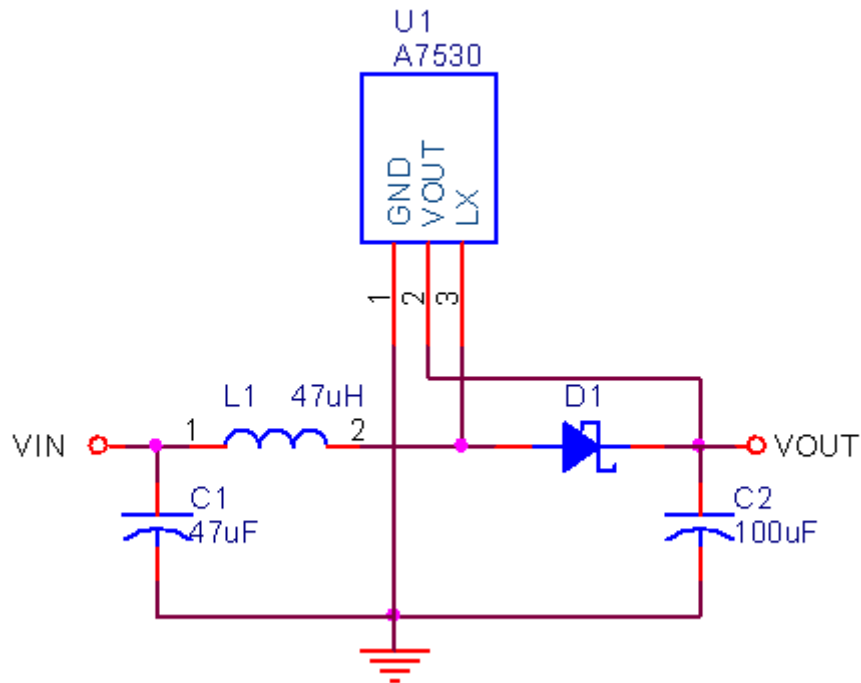




AiT Semiconductor Inc.



No.	Reference	Type	Specification
1	C1	Capacitor	Electrolytic Capacitor; 6.3V/47uF
2	C2	Capacitor	Electrolytic Capacitor; 6.3V/100uF
3	L1	Inductor	PIP4210-470M (AiT-Components) 47uH, 0.45A
4	U1	IC	A7530, SOT89-3 (AiT-Semi)
5	D1	Diode	1N5819 (AiT-Components)