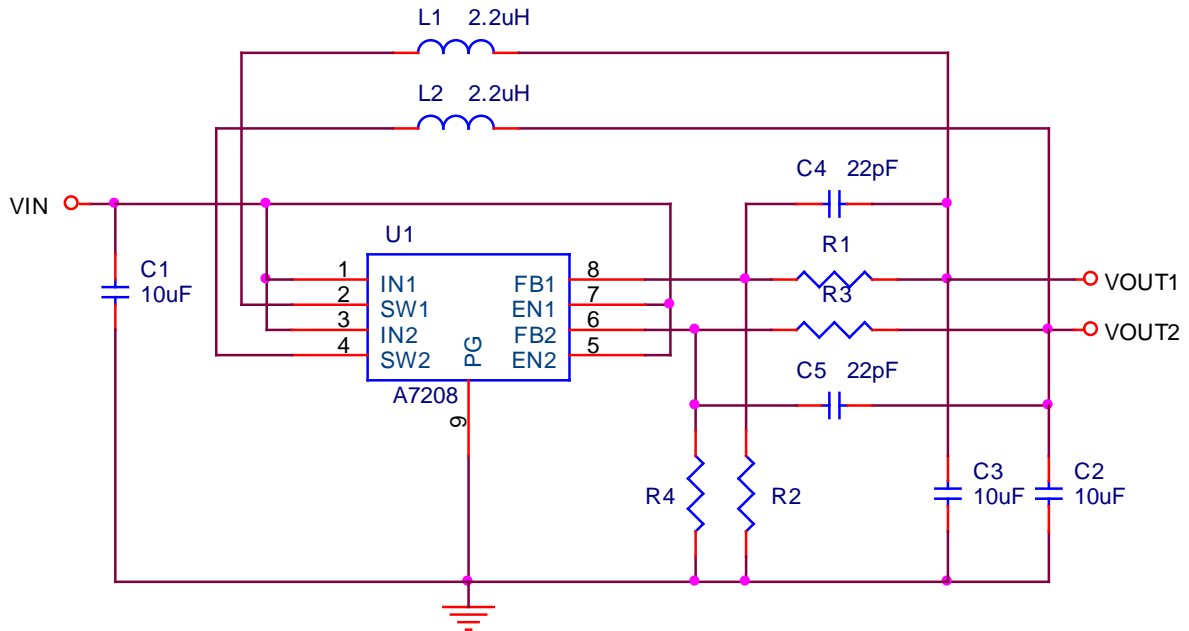




AiT Semiconductor Inc.



No.	Reference	Type	Specification
1	C1、 C2、 C3	Capacitor	Tantalum Capacitor; 6.3V/10uF; SMD
2	C4 、 C5	Capacitor	Tantalum Capacitor; 6.3V/22pF; SMD
3	L1 、 L2	Inductor	PIP3011-2R2M (AiT-Components) 2.2uH, 1.4A
4	U1	IC	A7208MP8R, PSOP8 (AiT-Semi)
5	R1	Resistor	SMD 0805; 1%
6	R2	Resistor	SMD 0805; 1%
7	R3	Resistor	SMD 0805; 1%
8	R4	Resistor	SMD 0805; 1%