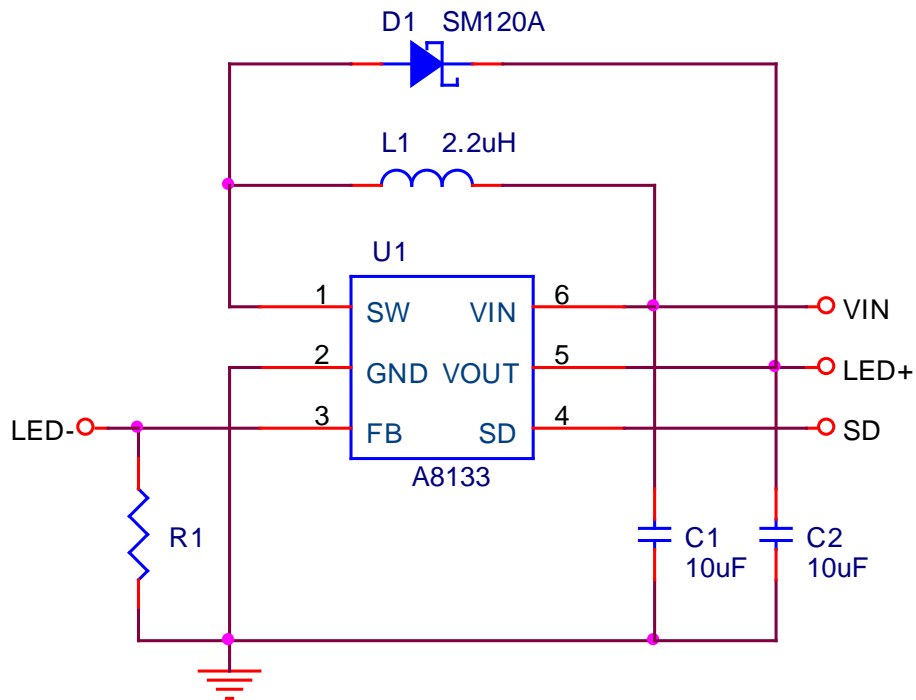




AiT Semiconductor Inc.



No.	Reference	Type	Specification
1	C1、 C2	Capacitor	Tantalum Capacitor; 6.3V/10uF; SMD
2	L1	Inductor	PIP2810-2R2M (AiT-Components) 2.2uH, 1A
3	U1	IC	A8133E6R; SOT-26 (AiT-Semi)
4	D1	Diode	SM120A (AiT-Components) 1A; 20V; SMA
5	R1	Resistor	SMD 0805; 1%