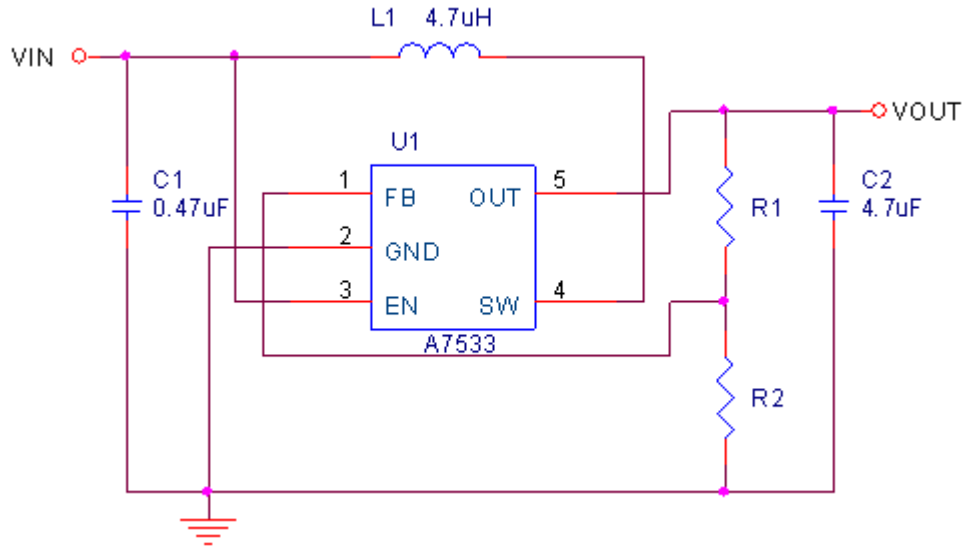




# AiT Semiconductor Inc.



No.	Reference	Type	Specification
1	C1	Capacitor	Tantalum Capacitor; 6.3V/0.47uF; SMD
2	C2	Capacitor	Tantalum Capacitor; 6.3V/4.7uF; SMD
3	L1	Inductor	PIP3011-4R7M (AiT-Components) 4.7uH, 1A
4	U1	IC	A7533E5R-ADJ, SOT-25 (AiT-Semi)
5	R1	Resistor	SMD 0805; 1%
6	R2	Resistor	SMD 0805; 1%