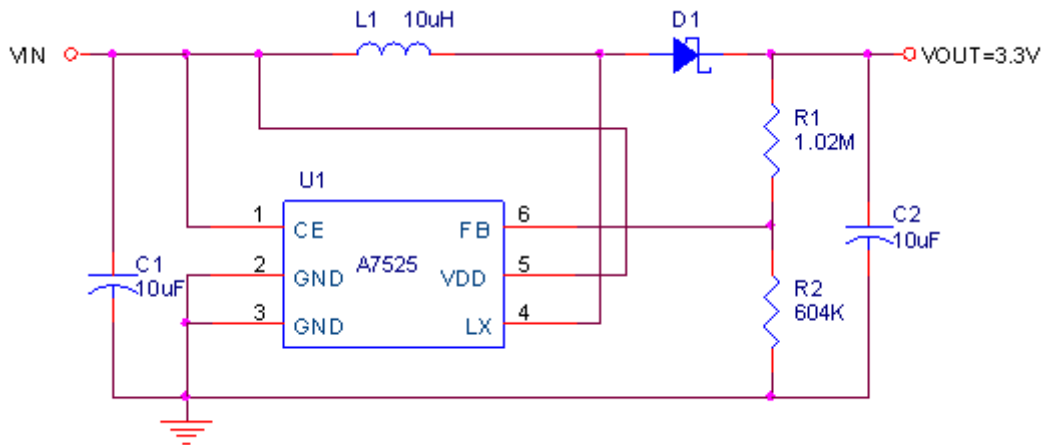




AiT Semiconductor Inc.



No.	Reference	Type	Specification
1	C1	Capacitor	Tantalum Capacitor; 6.3V/100uF; SMD
2	C2	Capacitor	Tantalum Capacitor; 6.3V/100uF; SMD
3	L1	Inductor	PIP4210-100M (AiT-Components) 10uH, 1.05A
4	U1	IC	A7525E6R-ADJ, SOT-26 (AiT-Semi)
5	D1	Diode	1N5819(AiT-Components)
6	R1	Resistor	SMD 0805; 1.02MΩ; 1%
7	R2	Resistor	SMD 0805; 332kΩ; 1%