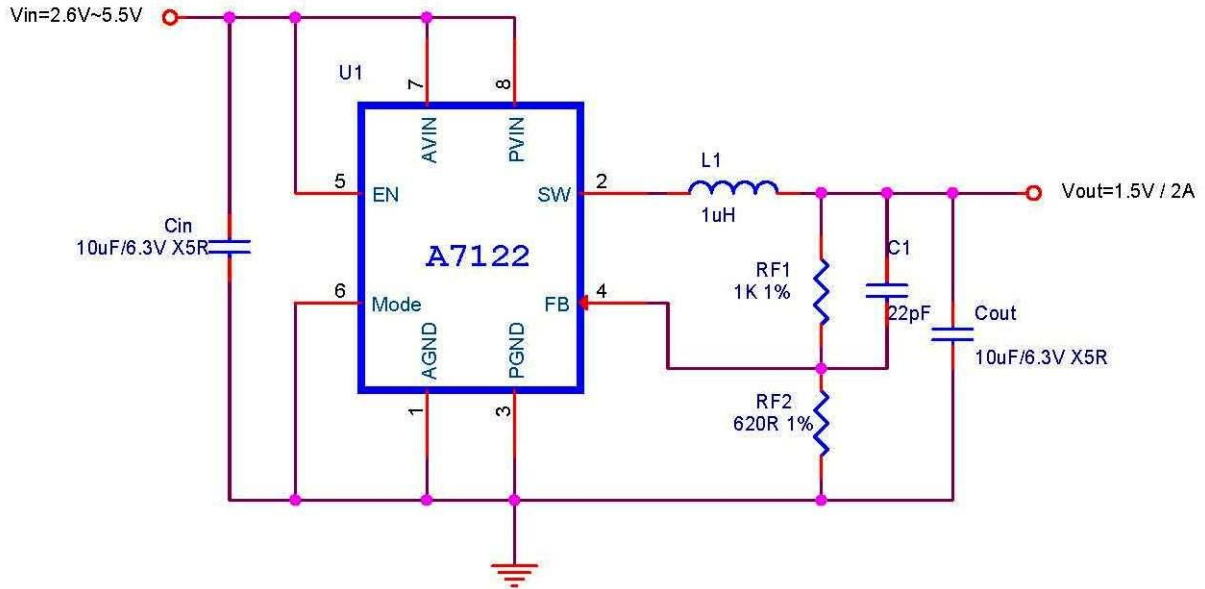




# AiT Semiconductor Inc.



No.	Reference	Type	Specification
1	RF1	Resistor	SMD 0805 1K 1%
2	RF2	Resistor	SMD 0805 620R 1%
3	C1	Capacitor	Ceramics CAP 0805 22P Y5V
4	Cin	Capacitor	Ceramics CAP 1206 10uF/6.3V X5R
5	Cout	Capacitor	Ceramics CAP 1206 10uF/6.3V X5R
6	L1	Inductor	PIP4210 1uH DCR=0.125mΩ I <sub>dc</sub> =3A (AiT Components)
7	U1	IC	A7122(AiT Semi)