



DESCRIPTION

The A4006 is a single lithium battery charge indicator chip, using CMOS process to achieve, small size and ease of installation of portable products.

The A4006 with built-in comparator and feedback loop, to materialize the detection of the four voltage point. By the internal trimming technology, you can ensure that the voltage detection accuracy of $\pm 1\%$. The output using OPENDRAIN structure, ease of customer use IO ports or LED indication.

The A4006 is available in SOT-26 package.

ORDERING INFORMATION

Package Type	Part Number	
SOT-26	E6	A4006E6R
		A4006E6VR
Note	V: Halogen free Package R: Tape & Reel	
AiT provides all RoHS products Suffix " V " means Halogen free Package		

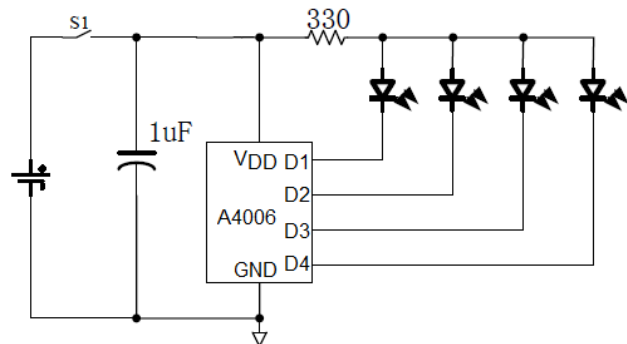
FEATURES

- Ultra-low current consumption:<10uA
- Built - in 4-way comparator, the detection of the four voltage point
- The internal comparator with reasonable hysteresis, is easy to charge and discharge instructions.
- High-precision detection voltage $\pm 1\%$
- Available in SOT-26 Package

APPLICATION

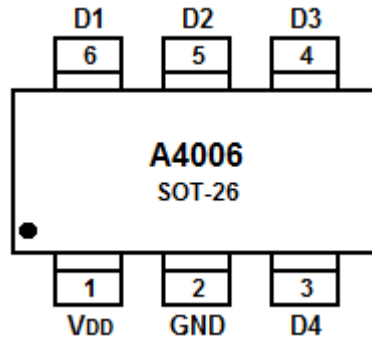
- Mobile Power
- LED flashlight

TYPICAL APPLICATION





PIN DESCRIPTION



Top View

Pin #	Symbol	Function
1	V _{DD}	Electric Power Source
2	GND	Ground Terminal
3,4,5,6	D1~D4	LED1-LED4 Output Indicates

ABSOLUTE MAXIMUM RATINGS

V _{CC} , Power Supply Voltage	V _{SS} -0.3V ~ V _{SS} +7V
VD1-VD4, D1-D4 Pressure-Proof	V _{SS} -0.3V ~ V _{CC} +0.3V
ID1-ID4, D1-D4 Output Current	30mA

Stress beyond above listed "Absolute Maximum Ratings" may lead permanent damage to the device. These are stress ratings only and operations of the device at these or any other conditions beyond those indicated in the operational sections of the specifications are not implied. Exposure to absolute maximum rating conditions for extended periods may affect device reliability.

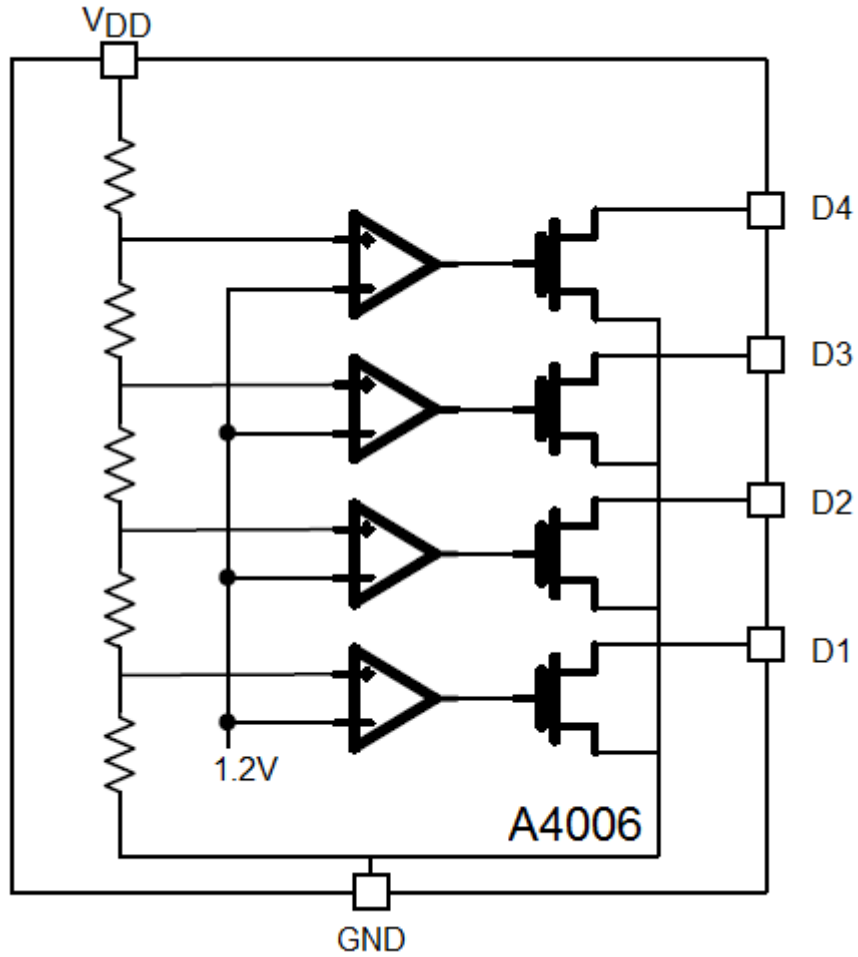
ELECTRICAL CHARACTERISTICS

T_A=25°C, unless specifically designated

Parameter	Symbol	Conditions	Min.	Typ.	Max.	Unit
Input Supply Voltage	V _{CC}		2		6.5	V
Output Current	I _{Dx}	V _{CC} =3.5V	2	5	10	mA
Quiescent Operating Current	I _{SS}	V _{CC} =4.5V	5	8	10	uA



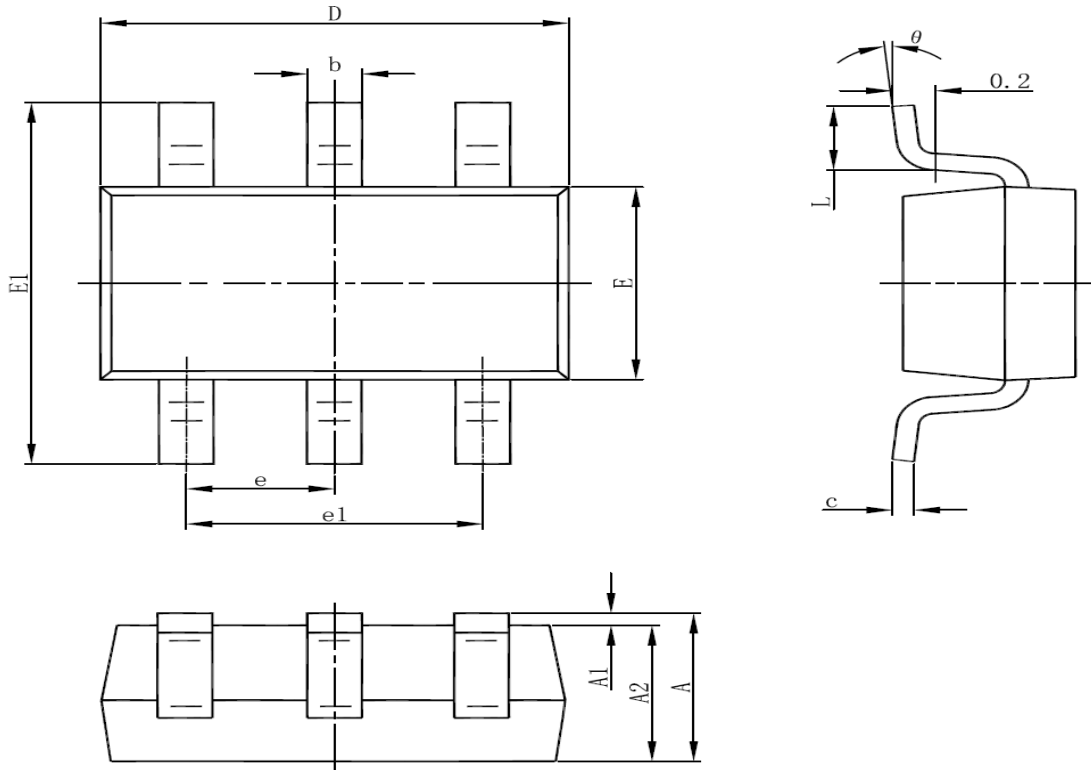
BLOCK DIAGRAM





PACKAGE INFORMATION

Dimension in SOT-26 Package (Unit: mm)



SYMBOL	MIN	MAX
A	1.050	1.250
A1	0.000	0.100
A2	1.050	1.150
b	0.300	0.500
c	0.100	0.200
D	2.820	3.020
E	1.500	1.700
E1	2.650	2.950
e	0.950(BSC)	
e1	1.800	2.000
L	0.300	0.600
theta	0°	8°



IMPORTANT NOTICE

AiT Semiconductor Inc. (AiT) reserves the right to make changes to any its product, specifications, to discontinue any integrated circuit product or service without notice, and advises its customers to obtain the latest version of relevant information to verify, before placing orders, that the information being relied on is current.

AiT Semiconductor Inc.'s integrated circuit products are not designed, intended, authorized, or warranted to be suitable for use in life support applications, devices or systems or other critical applications. Use of AiT products in such applications is understood to be fully at the risk of the customer. As used herein may involve potential risks of death, personal injury, or severe property, or environmental damage. In order to minimize risks associated with the customer's applications, the customer should provide adequate design and operating safeguards.

AiT Semiconductor Inc. assumes to no liability to customer product design or application support. AiT warrants the performance of its products of the specifications applicable at the time of sale.