



DESCRIPTION

The A4053 is a complete constant current & constant voltage linear charger for single cell lithium-ion batteries. Its P-MSOP package and low external component count make the A4053 ideally suited for portable applications. Furthermore, the A4053 is specifically designed to work within USB power specifications.

No external sense resistor is needed, and no blocking diode is required due to the internal MOSFET architecture. Thermal feedback regulates the charge current to limit the die temperature during high power operation or high ambient temperature. The charge voltage is fixed at 4.2V, and the charge current can be programmed externally with a single resistor. The A4053 automatically terminates the charge cycle when the charge current drops to 1/10th the programmed value after the final float voltage is reached.

When the input supply (wall adapter or USB supply) is removed, the A4053 automatically enters a low current state, dropping the battery drain current to less than 2uA. The A4053 can be put into shutdown mode, reducing the supply current to 50uA.

Other features include Battery temperature monitor, under-voltage lockout, automatic recharge and two status pins to indicate charge and charge termination.

The A4053 is available in P-MSOP8 Package

ORDERING INFORMATION

Package Type	Part Number	
P-MSOP8	MSP8	A4053MSP8R A4053MSP8VR
Note	R: Tape & Reel V: Halogen free package	
AiT provides all RoHS products, suffix " V " means Halogen free Package		

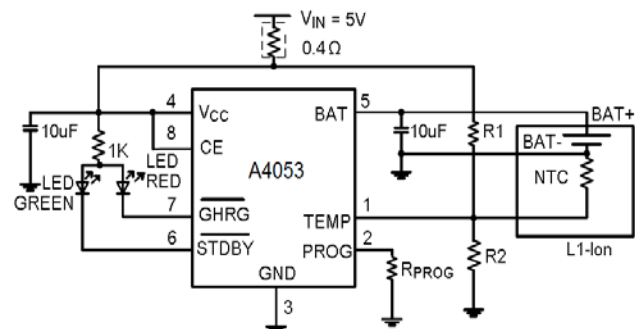
FEATURES

- Programmable Charge Current Up to 1000mA
- No MOSFET, Sense Resistor or Blocking Diode Required
- Complete Linear Charger in MSOP Package for single Cell Lithium-Ion Batteries
- Constant-Current/Constant-Voltage Operation with Thermal Regulation to Maximize Charge Rate Without Risk of Overheating
- Charges Single Cell Li-Ion Batteries Directly from USB Port
- Preset 4.2V Charge Voltage with $\pm 1\%$ Accuracy
- Charge Current Monitor Output for Gas Gauging
- Automatic Recharge
- Charge state pairs of output, no battery and fault status display
- C/10 Charge Termination
- 50uA Supply Current in Shutdown
- 2.9V Trickle Charge Threshold
- Soft-Start Limits Inrush Current
- Battery temperature monitoring function
- Available in P-MSOP8 Package

APPLICATION

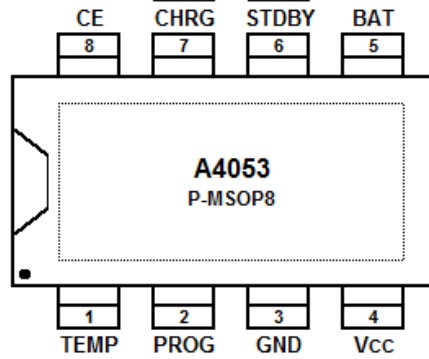
- Cellular Telephones, PDAs, MP3 /MP4 Players
- Charging Docks and Cradles
- Bluetooth , GPS Applications

TYPICAL APPLICATION





PIN DESCRIPTION



Pin #	Symbol	Function
1	TEMP	Battery temperature detection input. TEMP pin to receive the battery NTC sensor output. If the TEMP pin voltage is less than the input voltage is greater than 45% or 80% of the input voltage means the battery temperature is too low or too high, then the charge has been suspended. If the TEMP direct access GND, battery temperature detection canceled, the other charged and functioning properly.
2	PROG	Charge Current Program, Charge Current Monitor and Shutdown Pin. The charge current is programmed by connecting a 1% resistor, R _{PROG} , to ground. When charging in constant-current mode, this pin serves to 1V. In all modes, the voltage on this pin can be used to measure the charge current using the following formula: $I_{BAT} = (V_{PROG}/R_{PROG}) \cdot 1000$. The P _{ROG} pin can also be used to shut down the charger. Disconnecting the program resistor from ground allows a 3uA current to pull the PROG pin high. When it reaches the 1.21V shutdown threshold voltage, the charger enters shutdown mode, charging stops and the input supply current drops to 50uA. This pin is also clamped to approximately 2.4V. Driving this pin to voltages beyond the clamp voltage will draw currents as high as 1.5mA. Reconnecting R _{PROG} to ground will return the charger to normal operation.
3	GND	Ground
4	V _{CC}	Positive Input Supply Voltage. Provides power to the charger, V _{CC} can range from 4.25V to 6.5V and should be bypassed with at least a 10uF capacitor. When V _{CC} drops to within 30mV of the BAT pin voltage, the A4051 enters shutdown mode, dropping I _{BAT} to less than 2uA.
5	BAT	Charge Current Output. Provides charge current to the battery and regulates the final float voltage to 4.2V. An internal precision resistor divider from this pin sets the float voltage which is disconnected in shutdown mode
6	STDBY	The completion of battery charging instructions side. When the battery charge is complete, STDBY pulled low by internal switches, indicating the completion of charging. In addition, STDBY pin will be in a high-impedance state.
7	CHRG	Open-Drain Charge Status Output. When the battery is charging, the CHRG pin is pulled low by an internal N-channel MOSFET. When the charge cycle is completed, CHRG pin will be in a high-impedance state.
8	CE	Chip enable input High input level would A4051 is in normal working condition; low input level so that A4051 is prohibited charging status. CE pin can be TTL or CMOS level-level driver



ABSOLUTE MAXIMUM RATINGS

V _{CC} , Input Supply Voltage	V _{SS} -0.3 V ~ V _{SS} +7V
V _{PROG} , PROG pin Voltage	V _{SS} -0.3 V ~ V _{CC} +0.3V
V _{BAT} , BAT pin Voltage	V _{SS} -0.3 V ~ 7 V
V _{CHRG} , CHAG pin Voltage	V _{SS} -0.3V ~ V _{SS} +7V
I _{BAT} , BAT pin Current	1400mA
I _{PROG} , PROG pin Current	1400uA
T _{OPA} , Operating Ambient Temperature	-40°C ~ +85°C
T _{STR} , Storage Temperature	-65°C ~ +125°C
Lead Temperature (Soldering, 10s)	260°C

Stresses above may cause permanent damage to the device. These are stress ratings only and functional operation of the device at these or any other conditions beyond those indicated in the Electrical Characteristics are not implied. Exposure to absolute maximum rating conditions for extended periods may affect device reliability.



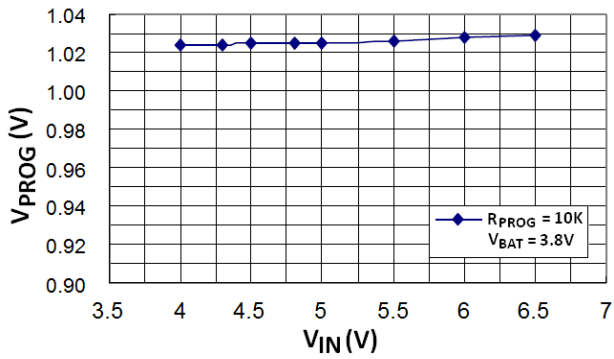
ELECTRICAL CHARACTERISTICS

Parameter	Symbol	Conditions	Min	Typ	Max	Unit
Input supply voltage	V _{CC}		4.25	-	6.5	V
Input supply current	I _{CC}	Charge mode, R _{PROG} =10K	-	350	2000	μA
		Standby mode	-	150	500	μA
		Shutdown mode (R _{PROG} not connected, V _{CC} <V _{BAT} or V _{CC} <V _{UV})	-	50	100	μA
Regulated Output Voltage	V _{FLOAT}	0°C≤T _A ≤85°C, I _{BAT} = 40mA	4.158	4.2	4.242	V
BAT pin Current	I _{BAT}	R _{PROG} =2k, Current mode	450	500	550	mA
		R _{PROG} =1k, Current mode	900	1000	1100	
		Standby mode, V _{BAT} =4.2V	0	-2.5	-6	μA
		Shutdown mode	-	1	2.5	
		Sleep mode, V _{CC} =0V	-	0.3	2.5	
Trickle charge current	I _{TRIKL}	V _{BAT} <V _{TRIKL} , R _{PROG} =1k	90	100	110	mA
Trickle charge Threshold Voltage	V _{TRIKL}	R _{PROG} =10K , V _{BAT} Rising	2.8	2.9	3.0	V
Trickle voltage hysteresis voltage	V _{TRHYS}	R _{PROG} =10k	60	80	110	mV
V _{CC} Undervoltage lockout Threshold	V _{UV}	From V _{CC} low to high	3.7	3.8	3.93	V
V _{CC} undervoltage lockout hysteresis	V _{UVHYS}		150	200	300	mV
V _{CC} -V _{BAT} Lockout Threshold voltage	V _{ASD}	V _{CC} from low to high	50	100	140	mV
		V _{CC} from high to low	5	40	50	
C/10 Termination Current Threshold	I _{TERM}	R _{PROG} =1k	0.085	0.1	0.115	mA/mA
		R _{PROG} =2k	0.085	0.1	0.115	
PROG pin Voltage	V _{PROG}	R _{PROG} =1k, Current mode	0.93	1.0	1.07	V
CHRG pin Output low voltage	V _{CHRG}	I _{CHRG} =5mA	-	0.35	0.6	V
STDBY pin Output low voltage	V _{STDBY}	I _{STDBY} =5mA	-	0.35	0.6	V
Recharge Battery threshold Voltage	ΔV _{RECG}	V _{FLOAT} - V _{RECHRG}	-	100	200	mV
CE high voltage	V _{CE-H}		1.2	-	-	V
CE low voltage	V _{CE-L}		-	-	0.6	V
TEMP pin voltage of the high-end flip	V _{TEMP-H}		-	80	82	%V _{CC}
TEMP pin voltage of the low-end flip	V _{TEMP-L}		43	45	-	%V _{CC}
Limited temperature patterns in the junction temperature	T _{LIM}		-	145	-	°C

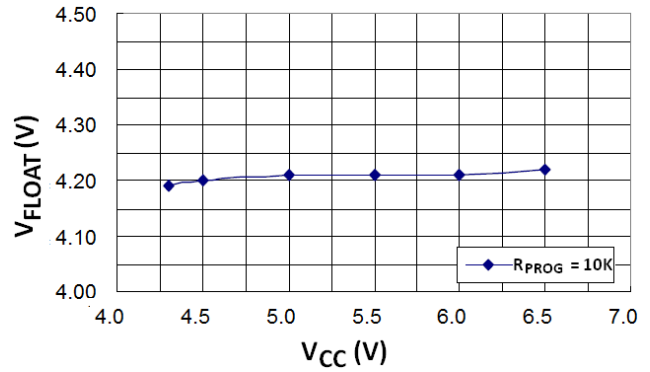


TYPICAL CHARACTERISTICS

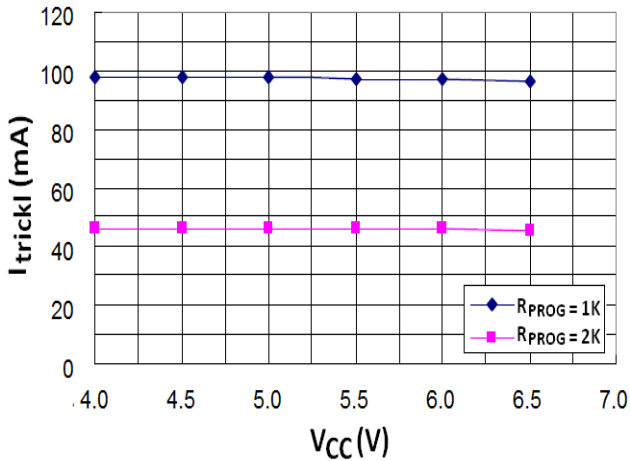
1. V_{PROG} VS V_{IN}



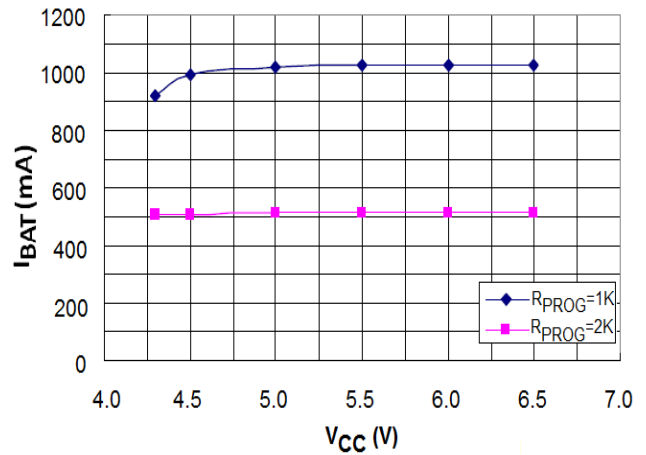
2. V_{FLOAT} VS V_{CC}



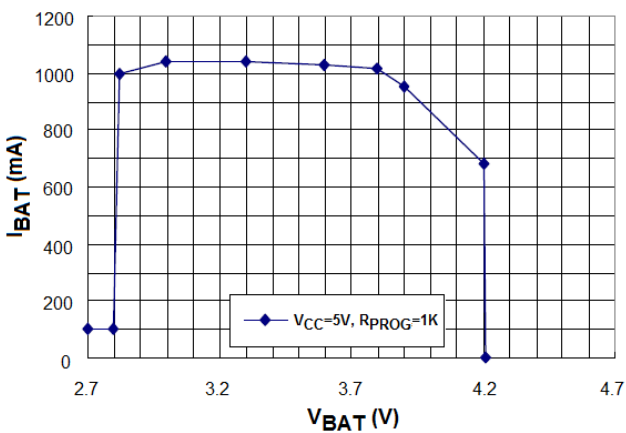
3. I_{TRICKL} VS V_{CC} ($V_{BAT}=2.5V$)



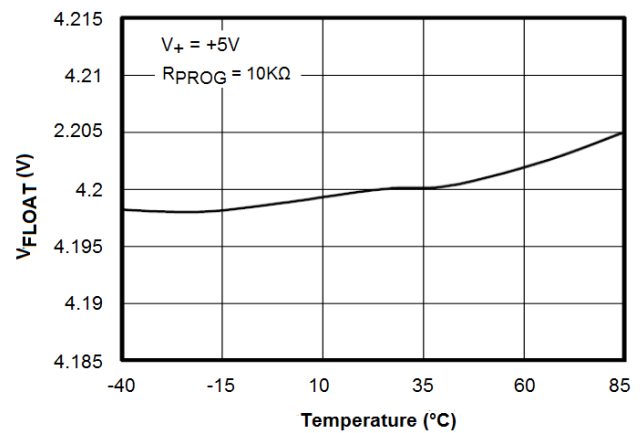
4. I_{BAT} VS V_{CC} ($V_{BAT}=3.8V$)



5. I_{BAT} VS V_{BAT}

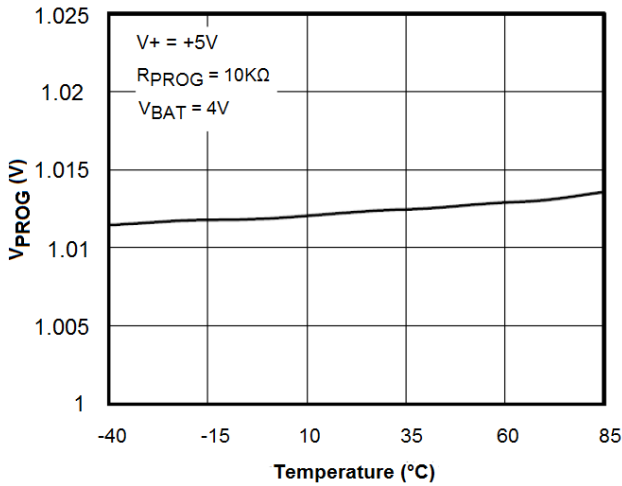


6. Regulated Output (Float) Voltage vs Temp.

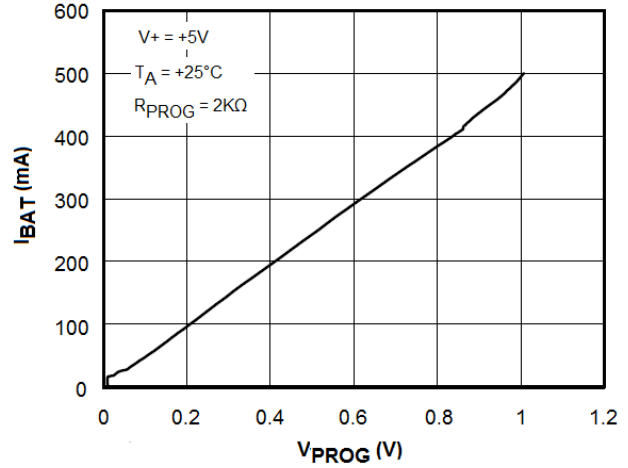




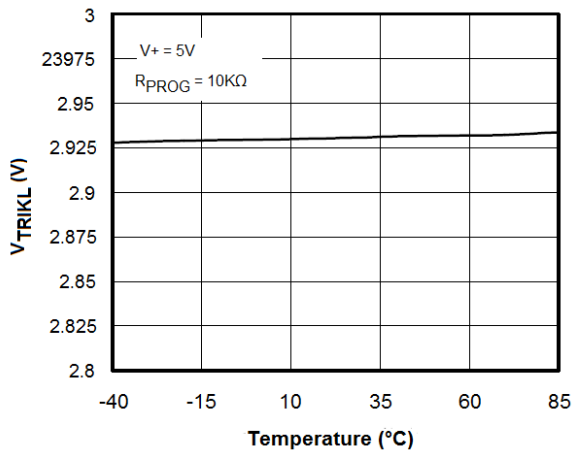
7. V_{PROG} Pin Voltage vs Temperature



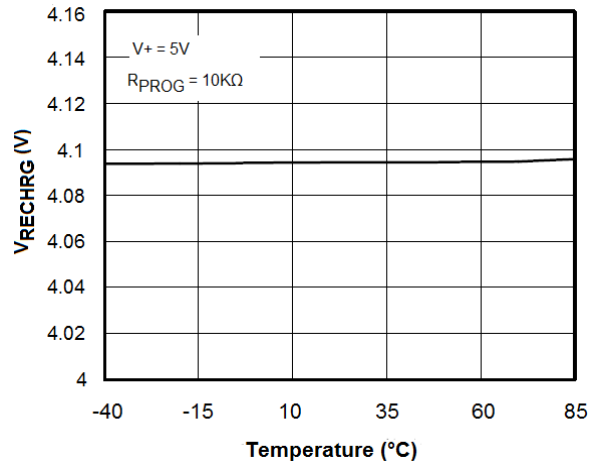
8. Charge Current vs V_{PROG} Pin Voltage



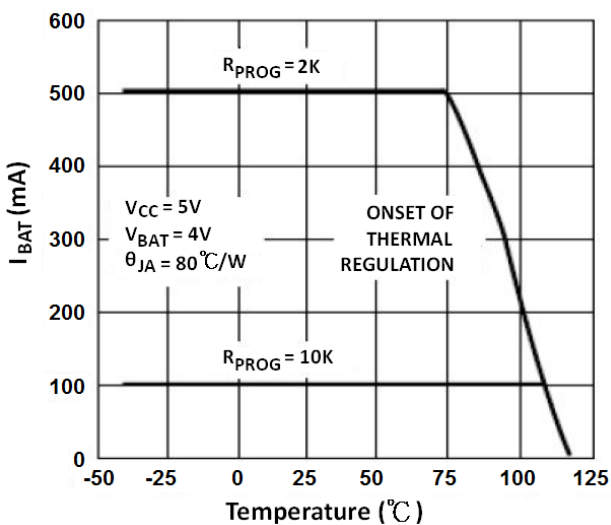
9. Trickle Charge Threshold vs Temperature



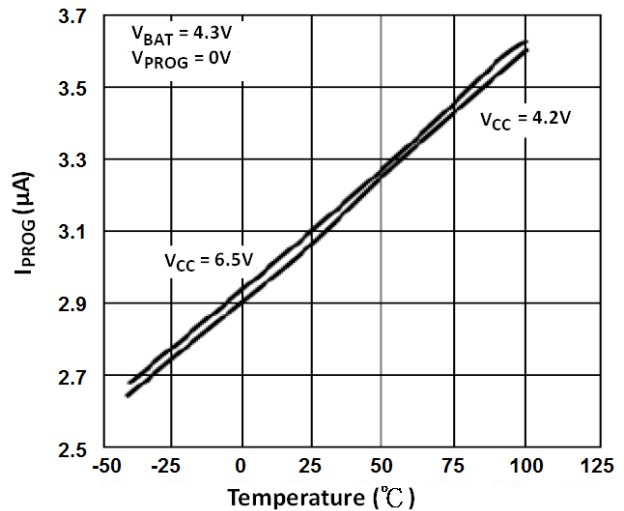
10. Recharge Voltage Threshold vs Temperature



11. Charge Current vs Ambient Temperature

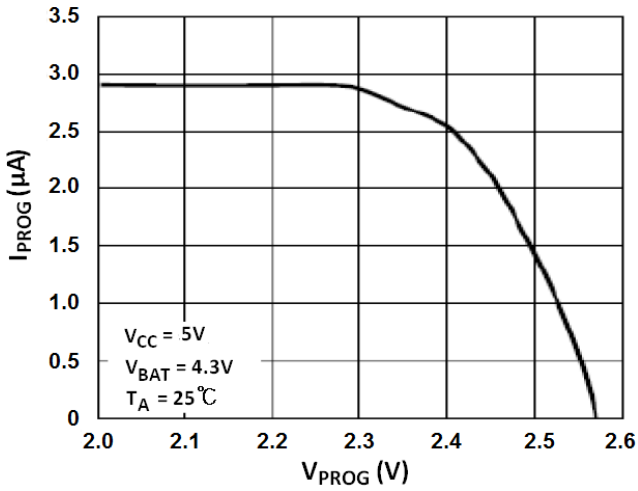


12. I_{PROG} Pin Pull-Up Current vs Temperature and Supply Voltage

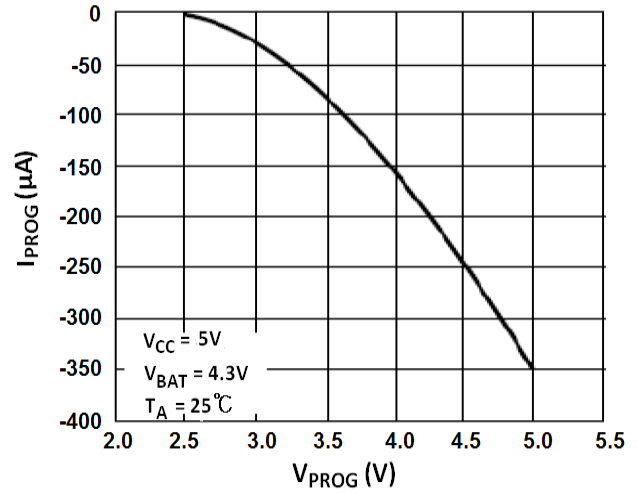




13. P_{ROG} Pin Current vs P_{ROG} Pin Voltage
(Pull-Up Current)

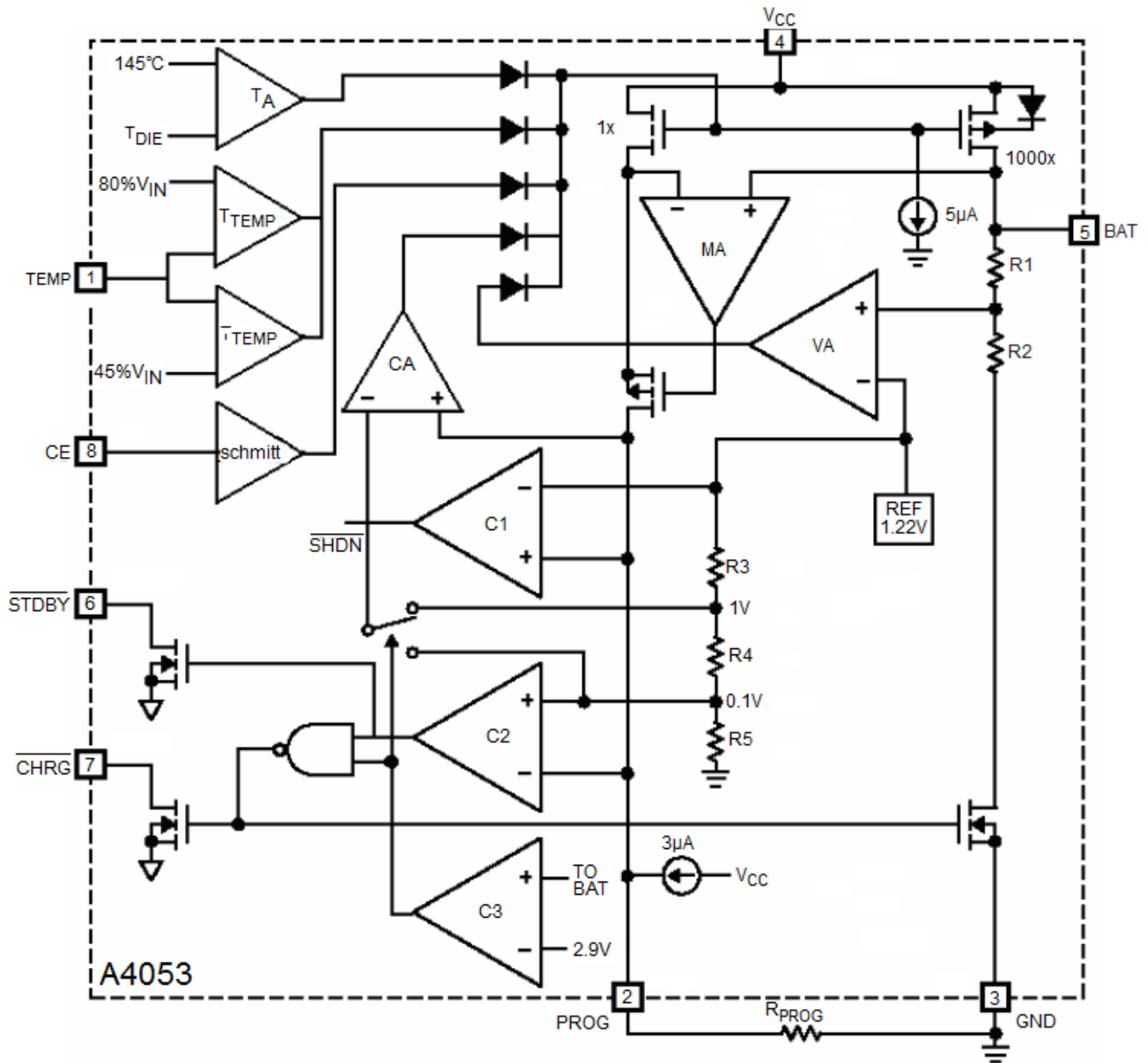


14. P_{ROG} Pin Current vs P_{ROG} Pin Voltage
(Clamp Current)





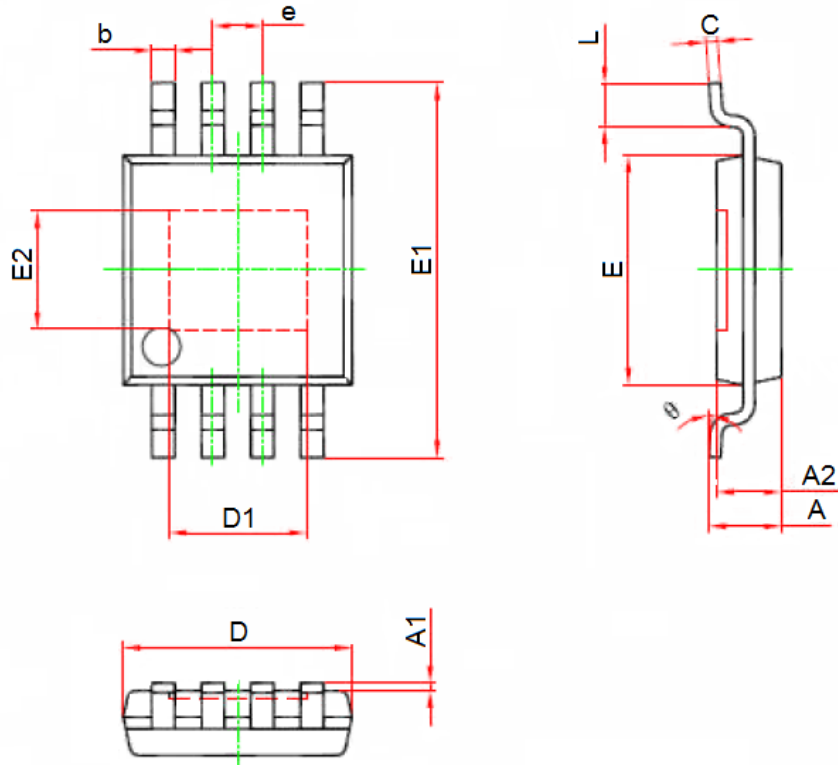
BLOCK DIAGRAM





PACKAGE INFORMATION

Dimension in P-MSOP8 (Unit: mm)



Symbol	Min	Max
A	0.820	1.100
A1	0.020	0.150
A2	0.750	0.950
b	0.250	0.380
c	0.090	0.230
D	2.900	3.100
e	0.650(BSC)	
E	2.900	3.100
E1	4.750	5.050
L	0.400	0.800
θ	0°	6°



IMPORTANT NOTICE

AiT Semiconductor Inc. (AiT) reserves the right to make changes to any its product, specifications, to discontinue any integrated circuit product or service without notice, and advises its customers to obtain the latest version of relevant information to verify, before placing orders, that the information being relied on is current.

AiT Semiconductor Inc.'s integrated circuit products are not designed, intended, authorized, or warranted to be suitable for use in life support applications, devices or systems or other critical applications. Use of AiT products in such applications is understood to be fully at the risk of the customer. As used herein may involve potential risks of death, personal injury, or severe property, or environmental damage. In order to minimize risks associated with the customer's applications, the customer should provide adequate design and operating safeguards.

AiT Semiconductor Inc. assumes to no liability to customer product design or application support. AiT warrants the performance of its products of the specifications applicable at the time of sale.