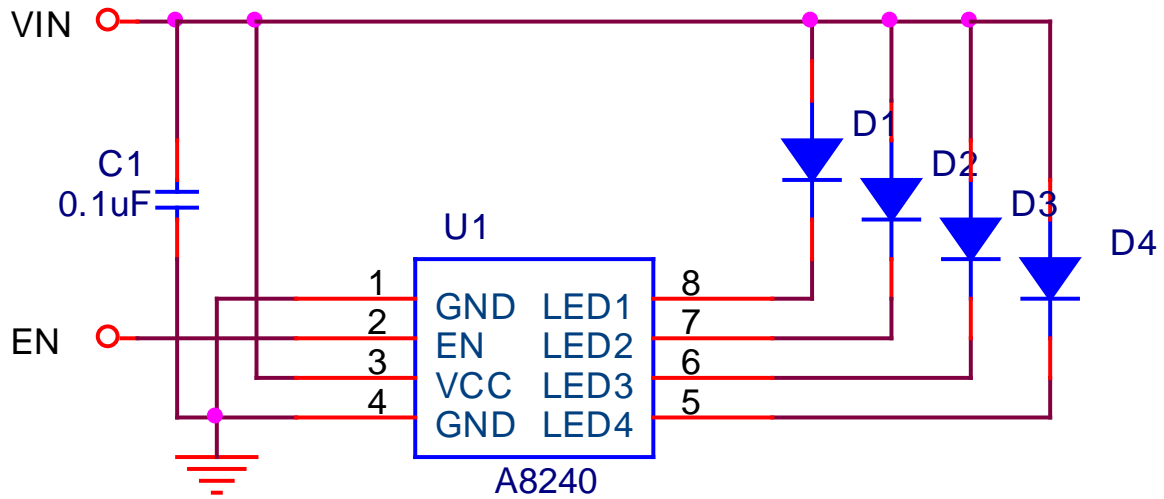




# AiT Semiconductor Inc.



No.	Reference	Type	Specification
1	C1	Capacitor	Tantalum Capacitor; 6.3V/0.1uF; SMD
2	D1, D2, D3, D4	Diode	LED Diode
3	U1	IC	A8240 (AiT-Semi)