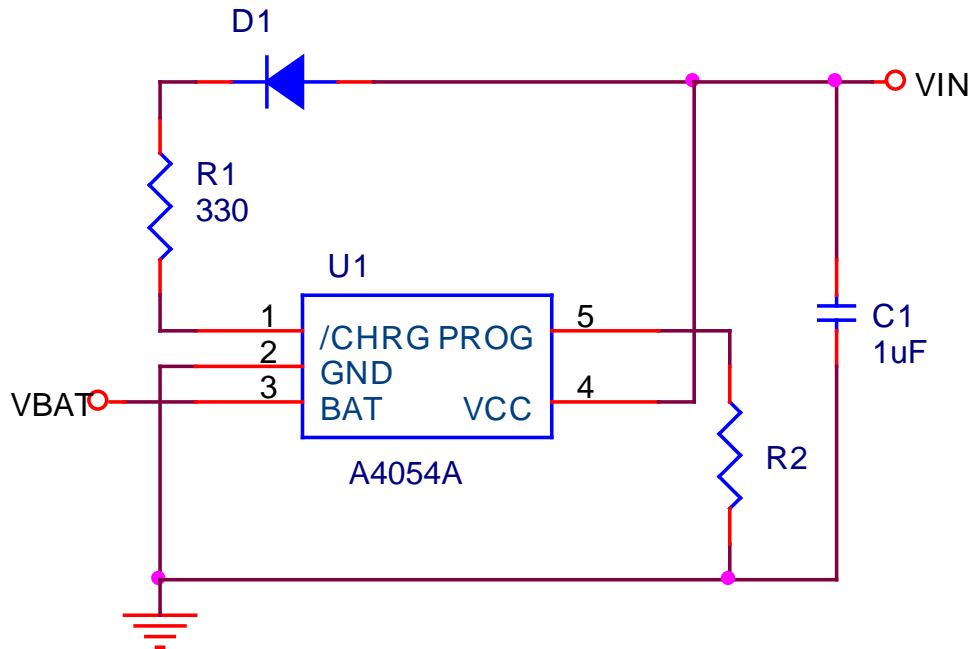




AiT Semiconductor Inc.



No.	Reference	Type	Specification
1	C1	Capacitor	Tantalum Capacitor; 6.3V/1μF; SMD
2	R1	Resistor	SMD 0805 330Ω; 5%
3	R2	Resistor	SMD 0805; 1%
4	D1	Diode	LED Diode
5	U1	IC	A4054A (AiT-Semi)