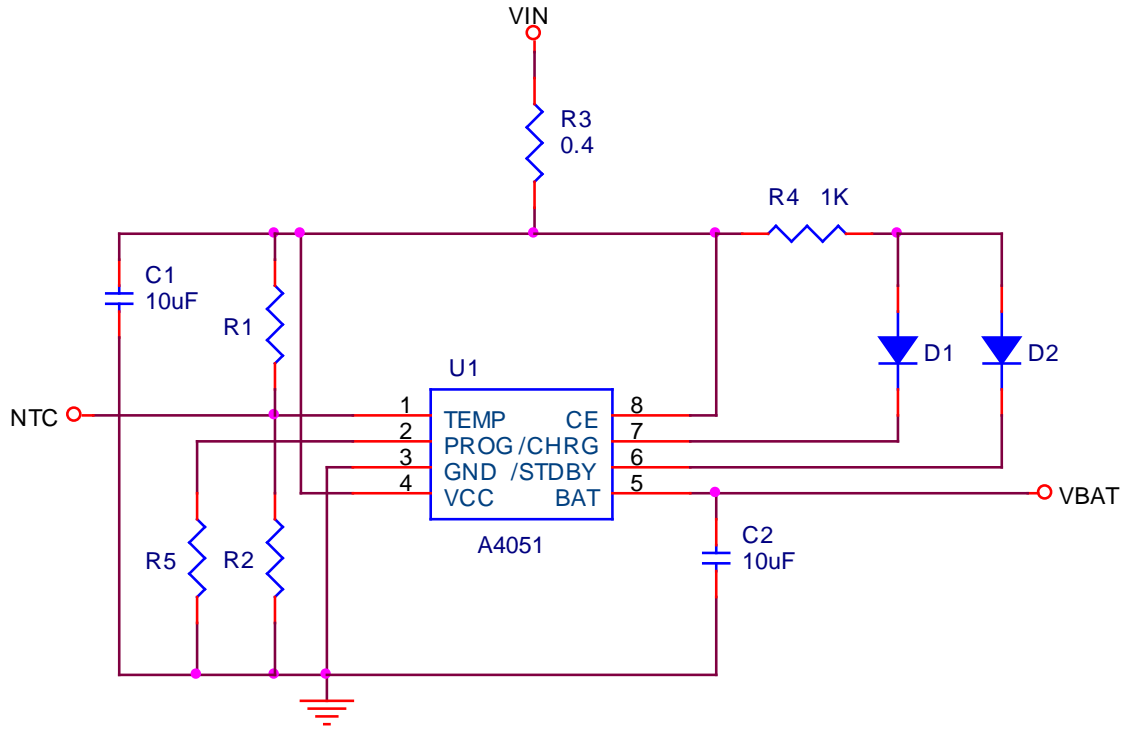




AiT Semiconductor Inc.



No.	Reference	Type	Specification
1	C1、 C2	Capacitor	Tantalum Capacitor; 6.3V/10uF; SMD
2	R1、 R2	Resistor	SMD 0805; 5%
3	R3	Resistor	SMD 0805 0.4Ω; 1%
4	R4	Resistor	SMD 0805 1kΩ; 5%
5	R5	Resistor	SMD 0805 1%
6	D1、 D2	Diode	LED Diode
7	U1	IC	A4051 (AiT-Semi)