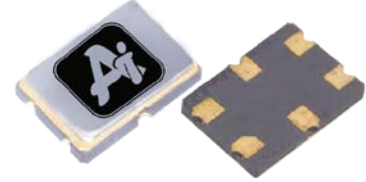




**Features**

- light weight and miniature SMD crystal filter.
- 2~4 pole function in a single package.
- Excellent guaranteed attenuation.
- Excellent shock and vibration resistance.
- Automatic mounting, solder reflow capable.
- Applications in mobile, wireless communications, cellular, cordless phones, radio communications.



**Electrical Specifications**

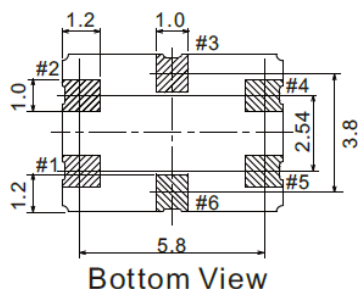
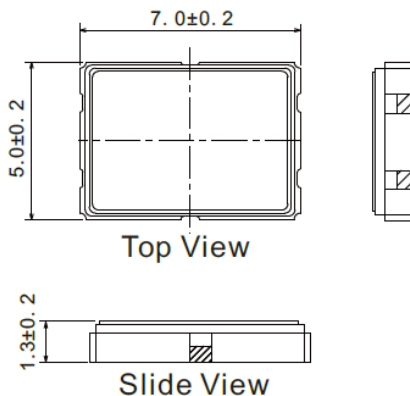
Type	7050 CRYSTAL FILTERS			
Nominal Frequency	38.850MHz	45.000MHz	49.950MHz	51.650MHz
Pole	4 Pole	4 Pole	4 Pole	4 Pole
Overtone Order	Fundamental	Fundamental	Fundamental	Fundamental
Pass Bandwidth	±3.75kHz min./3dB	±7.5kHz min./3dB	±7.5kHz min./3dB	±5kHz min./3dB
Stop Bandwidth	±15kHz min./35dB	±22kHz min./25dB	±25kHz min./35dB	±22kHz min./30dB
Ripple	1dB max.	1dB max.	1dB max.	1dB max.
Insertion Loss	4dB max.	4dB max.	4dB max.	4dB max.
Guaranteed Attenuation	80dB min.	80dB min.	80dB min.	80dB min.
Operating Temperature Range	-20~+70°C			
Packing Unit	1000 pcs. / Reel			

**Ordering Information**

KMF7050	45000M	4
Product Code	Frequency Range 38.850MHz / 45.000MHz 49.950MHz / 51.650MHz	Pole 4=4Pole

**Dimension**

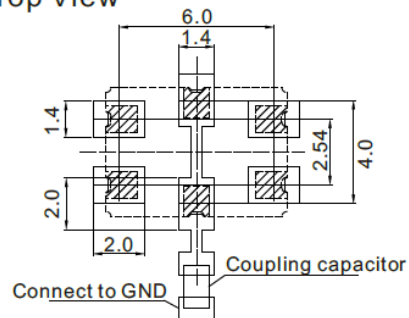
Units:mm



Pin No.	Connection
#1	INPUT
#2	GND
#3	Connect with #6
#4	OUTPUT
#5	GND
#6	Connect with #3

**Recommended Land Pattern**

Top View



**Measurement Circuit**

